

## Minature 12 & 20 Amp General Purpose Relay

## PC113



### FEATURES

- 1 and 2 pole contact forms
- 12 & 20 amp switching capacity
- AC and DC coils available
- Available as Plug in or with PC pins
- Available with gold plated contacts
- UL Class B insulation standard
- Arc barrier equipped
- Available with top mounting flange
- **Now available Lead Free & RoHS Compliant**

### UL/CUR RATINGS

Load Type	Voltage	1 Form C (SPDT)	2 Form C (DPDT)
General Purpose	277 VAC	20 A	10 A
	250 VAC	20 A	12 A
	28 VDC	20 A	12 A
Motor	125 VAC	1/2 HP	1/2 HP
	250 VAC	1/2 HP	1/2 HP
Max. Switching Power		3750 VA	3000 VA
		420 W	336 W



File # E86876

### CONTACT DATA

Material		AgCdO (Silver Cadmium Oxide)
Initial Contact Resistance		50 milliohms max @ 1A, 6VDC
Service Life	Mechanical	1 X 10 <sup>7</sup> Operations
	Electrical	1 X 10 <sup>5</sup> Operations

### CHARACTERISTICS

Operate Time	25 ms. Max.
Release Time	25 ms. Max.
Insulation Resistance	1,000 megohms min, at 500VDC, 50%RH
Dielectric Strength	1500 Vrms, 1 min. between coil and contacts 1000 Vrms, 1 min. between open contacts 1000 Vrms, 1 min. between contact poles
Shock Resistance	10 g, 11ms, functional; 100 g, destructive
Vibration Resistance	DA 1.5mm, 10-55 Hz
Power Consumption	1 & 2 Pole DC .9 W, AC 1.2 VA
Ambient Temperature Range	-40 to 70 C, -55 to 130 C storage
Weight	37 grams

### ORDERING INFORMATION

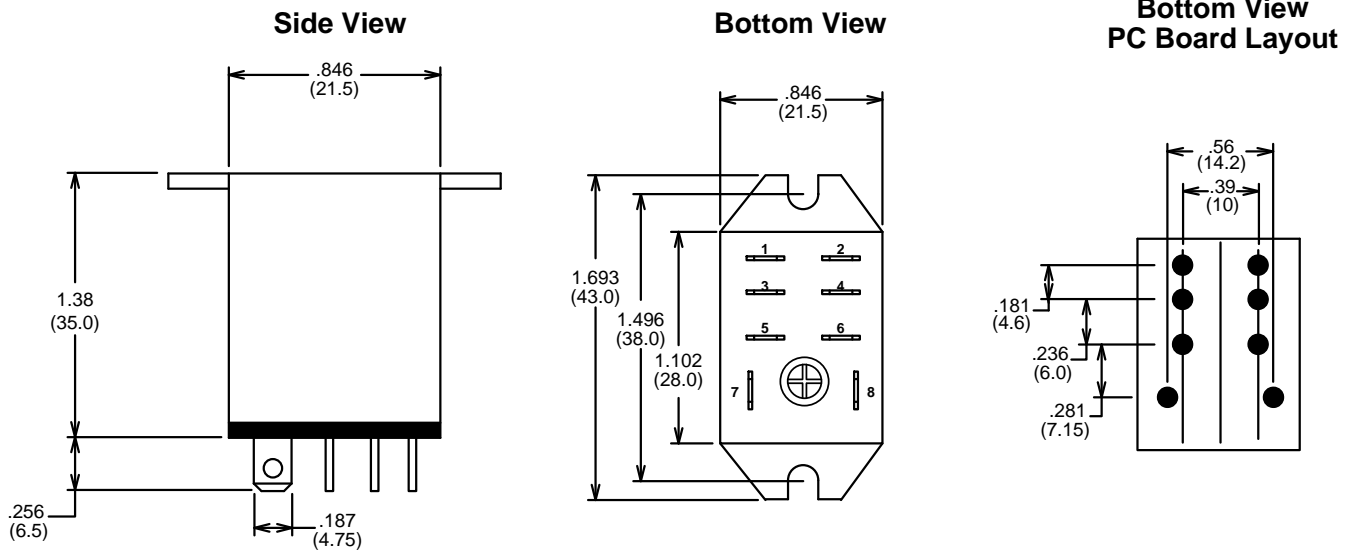
Example: PC113	-2C	-P	-C1	-120A	-LD	-X
Contacts: 1A, 1B or 1C; 2A, 2B or 2C						
Terminal Type						
Nil: Solder Lugs; P: PC Pins						
Case Style						
Nil: Plain Case; C1: Flange Mount Case						
Coil						
XXXA: AC Coil; XXXD: DC coil						
Options						
Nil: None; G: Gold Plated Contacts; L: LED indicator; D: Internal Diode						
RoHS Compliant						
Nil: Not RoHS, -X: RoHS Compliant						

**Note: LED polarity is positive on terminal 8 negative on terminal 7**

**COIL DATA**  
1 and 2 Pole

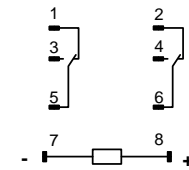
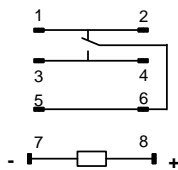
Voltage Type	Coil Voltage	Resistance ohms $\pm 10\%$	Coil Power	Must Operate Voltage Max.	Must Release Voltage Min.
DC	6	40	0.9 W	4.8	0.6
	12	160		9.6	1.2
	24	650		19.2	2.4
	48	2560		38.4	4.8
	110	13444		88.0	11.0
	220	53778		176.0	22.0
AC	6	11.5	1.2 VA	4.8	1.8
	12	46.0		9.6	3.6
	24	184		19.2	7.2
	48	735		38.4	14.4
	120	4550		96.0	36.0
	220 / 240	14400		176.0	66.0

Dimensions in Inches (millimeters)



Wiring Diagram 1 Pole

Wiring Diagram 2 Pole



Notes:  
Tolerances  $\pm .010$  unless otherwise noted



3220 Commander Drive, Suite 102, Carrollton, Texas 75006  
Sales: Call Toll Free (888) 997-3933 Fax (818) 342-5296 email: pickerwest@sbcglobal.net